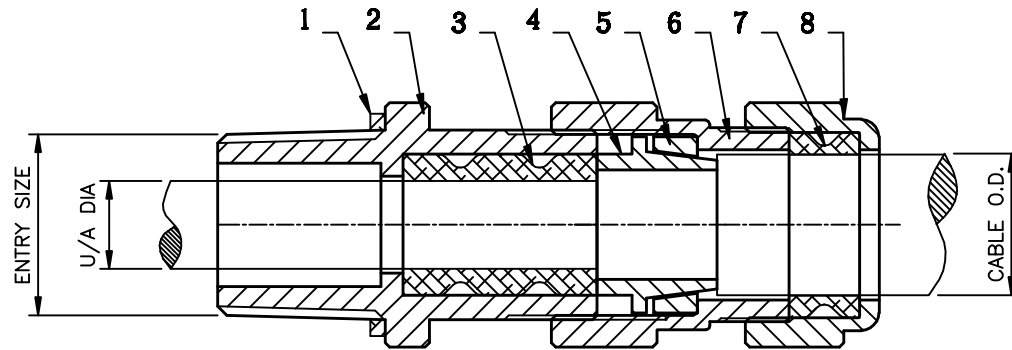


CIMFR CERT NO.: - CIMFR/TC/SR/H513  
 SUPPL. T.C. NO.: - CIMFR/TC/S/H143  
 TYPE/CAT NO.: - KCE-\*\*-IIC SERIES



CABLE GLAND SELECTION CHART (TABLE # A)

TECHNICAL DATA

ENCLOSURE :-  
 Ex-d AS PER IS/IEC 60079-1:2007

PROTECTION :-  
 IP-66 AS PER IS: 12063-1987 (IEC 60529:1989)

AREA CLASSIFICATION :-  
 ZONE 1 & 2

GAS GROUPS :-  
 IIC

MATERIAL OF CONSTRUCTION :-  
 BRASS NICKEL PLATED AS STANDARD  
 OPTIONAL S.S. OR ALUMINUM

ORDERING CODE :-  
 CAT. NO. FOLLOWED BY SIZE e.g. KCE-01-IIC M20x1.5 OR KCE-01-IIC 1/2"NPT

SIZE & CAT NO. :- TABLE # A

CAT.NO.	ENTRY SIZE (M)	ENTRY SIZE (ET)	ENTRY SIZE (NPT)	CABLE O/D. (max)	UNDER ARMOUR O/D. (max)	CABLE SIZES
KCE-0S-IIC	M12 x 1.5	-	-	6.5 TO 10.0	3.5 TO 7.5	
KCE-00-IIC	M16 x 1.5	-	-	9.5 TO 13.0	5.5 TO 9.5	
KCE-1S-IIC	M20 x 1.5	3/4"	1/2"	12.5 TO 16.0	6.0 TO 10.0	
KCE-01-IIC	M20 x 1.5	3/4"	1/2"	16.5 TO 18.0	7.5 TO 11.5	2CX2.5, 2CX4, 3CX1.5
KCE-02-IIC	M20 x 1.5	3/4"	1/2"	18.5 TO 19.5	10.0 TO 13.5	3CX4, 3CX6, 3CX2.5, 2CX6, 4CX4
KCE-03-IIC	M25 x 1.5	1"	3/4"	20.0 TO 22.0	13.5 TO 17.0	3CX10, 4CX10, 4CX6
KCE-04-IIC	M25 x 1.5	1"	3/4"	22.5 TO 25.5	16.5 TO 20.0	3CX25, 3CX35, 3CX16, 4CX16
KCE-05-IIC	M40 x 1.5	1 1/2"	1 1/4"	26.0 TO 29.0	21.0 TO 24.0	3CX50, 3.5CX35, 4CX25, 4CX35, 3.5CX25
KCE-5A-IIC	M32 x 1.5	1 1/4"	1"	26.0 TO 29.0	21.0 TO 24.0	3CX50, 3.5CX35, 4CX25, 4CX35, 3.5CX25
KCE-06-IIC	M40 x 1.5	1 1/2"	1 1/4"	29.5 TO 33.5	24.0 TO 28.0	3CX70, 3.5CX50, 4CX50
KCE-07-IIC	M40 x 1.5	1 1/2"	1 1/4"	34.0 TO 37.0	28.0 TO 30.5	3CX95, 3.5CX70
KCE-08-IIC	M50 x 1.5	2"	1 1/2"	37.5 TO 40.5	31.0 TO 35.0	3CX120, 3.5CX95
KCE-09-IIC	M50 x 1.5	2"	1 1/2"	41.0 TO 45.0	34.0 TO 37.0	3CX150, 3.5CX120
KCE-10-IIC	M50 x 1.5	2"	1 1/2"	45.5 TO 51.0	40.0 TO 43.0	3CX185, 3.5CX150
KCE-11-IIC	M63 x 1.5	2 1/2"	2"	51.5 TO 59.0	45.0 TO 52.0	3CX225, 3CX240, 3.5CX225, 3.5CX185
KCE-12-IIC	M75 x 1.5	3"	2 1/2"	59.5 TO 65.0	52.0 TO 58.0	3.5CX240, 3CX300, 3.5CX300
KCE-13-IIC	M75 x 1.5	3"	2 1/2"	65.5 TO 77.0	56.5 TO 64.0	3.5CX400, 3CX400

08.	COMPRESSION RING (NUT)	1	-
07.	OUTER BUSH	1	-
06.	GLAND BODY	1	-
05.	ARMOUR CLAMPING RING	1	-
04.	ARMOUR CLAMPING CONE	1	-
03.	INNER BUSH	1	-
02.	NIPPLE	1	-
01.	RUBBER WASHER	1	-
NO.	DESCRIPTION	QTY	REMARK

CLIENT		DRAWN	KBP	1.3.12	DESCRIPTION:-
CONSULTANT		APP'D	HPB	1.3.12	FLAMEPROOF & WEATHERPROOF
P.O.No.		CH'D	NPB	1.3.12	DOUBLE COMP.CABLE GLAND
		SHT.NO.	REV.	DRG.NO.:-	
		1 OF 1	0	L03	

THE INFORMATION CONTAINED IN THIS DRAWING IS THE PROPERTY OF KAYSONS TECHNO EQUIPMENTS PVT. LTD. AND IS NOT TO BE COPIED OR MISUSED IN ANY WAY.

ISSUE	DATE	BY	MODIFICATION



1802/7, G.I.D.C. ESTATE,  
 V.U.NAGAR 388121. (GUJARAT)